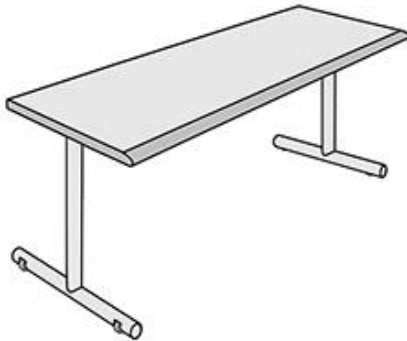


ZUME

TOP CONSTRUCTION

- SUBSTRATE:** Standard table tops are constructed with 1-1/8" M3 Industrial Grade 47# density particle board. NAUF and FSC® options are available.
- DECORATIVE SURFACE:** Constructed with HPL (high pressure laminate) which meets or exceeds performance requirements of NEMA LD 3
- BACKER:** Backer matched grade of laminate for balanced construction. Meets or exceeds performance requirements of NEMA LD 3
- ADHESIVE:** GREENGUARD® Certified Water-Based PVA glue
- EDGING:** See edge treatment guide for more information on edging options www.surfaceworks.us/Edges.html
- MOUNTING:** Table tops are predrilled for easy installation & alignment.



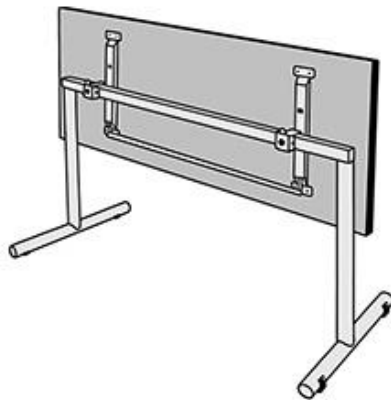
BASE CONSTRUCTION

- DESCRIPTION:** All welded base for maximum strength and durability
- MATERIAL:** Tubing: Column-2" dia 14-gauge steel. Feet-2" dia 14-gauge steel w/plastic end caps
- FINISH:** Powder coated with scuff resistant environmentally friendly powder
- HEIGHT:** 27.75"
- FOOT TYPE (STANDARD):** Built-in 1-1/2" Rubber casters with metal axels for easy movement
- MOUNTING PLATE:** 4"x 10" x 1/4" steel plate

ZUME ULTRA FLIP

TOP CONSTRUCTION

- SUBSTRATE:** Standard table tops are constructed with 1-1/8" M3 Industrial Grade 47# density particle board. NAUF and FSC options are available.
- DECORATIVE SURFACE:** Constructed with HPL (high pressure laminate) which meets or exceeds performance requirements of NEMA LD 3
- BACKER:** Backer matched grade of laminate for balanced construction. Meets or exceeds performance requirements of NEMA LD 3
- ADHESIVE:** GREENGUARD® Certified Water-Based PVA glue
- EDGING:** See edge treatment guide for more information on edging options www.surfaceworks.us/Edges.html
- MOUNTING:** Table tops are predrilled for easy installation & alignment.



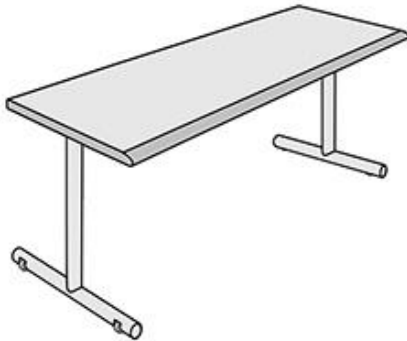
BASE CONSTRUCTION

- DESCRIPTION:** Welded/bolted base for maximum strength and durability with positive-locking flip mechanism
- MATERIAL:** Tubing: Column-2" dia 14-gauge steel. Feet-2" dia 14-gauge steel w/plastic end caps
- FINISH:** Powder coated with scuff resistant environmentally friendly powder
- HEIGHT:** 27.75"
- FOOT TYPE (STANDARD):** Built-in 1-1/2" Rubber casters with metal axels for easy movement
- MOUNTING PLATE:** Ultra Flip Mechanism

ZUME FOLDING

TOP CONSTRUCTION

- SUBSTRATE:** Standard table tops are constructed with 1-1/8" M3 Industrial Grade 47# density particle board. NAUF and FSC options are available.
- DECORATIVE SURFACE:** Constructed with HPL (high pressure laminate) which meets or exceeds performance requirements of NEMA LD 3
- BACKER:** Backer matched grade of laminate for balanced construction. Meets or exceeds performance requirements of NEMA LD 3
- ADHESIVE:** GREENGUARD® Certified Water-Based PVA glue
- EDGING:** See edge treatment guide for more information on edging options www.surfaceworks.us/Edges.html
- MOUNTING:** Table tops are predrilled for easy installation & alignment.



BASE CONSTRUCTION

- DESCRIPTION:** Welded/bolted base for strength and durability with integrated folding mechanism
- MATERIAL:** Tubing: Column-2" dia 14-gauge steel. Feet-2" dia 14-gauge steel w/plastic end caps
- FINISH:** Powder coated with scuff resistant environmentally friendly powder
- HEIGHT:** 27.75"
- FOOT TYPE (STANDARD):** Built-in 1-1/2" Rubber casters with metal axels for easy movement
- MOUNTING PLATE:** Molded plastic with steel spring clip. Legs lock in at both opened and closed position.