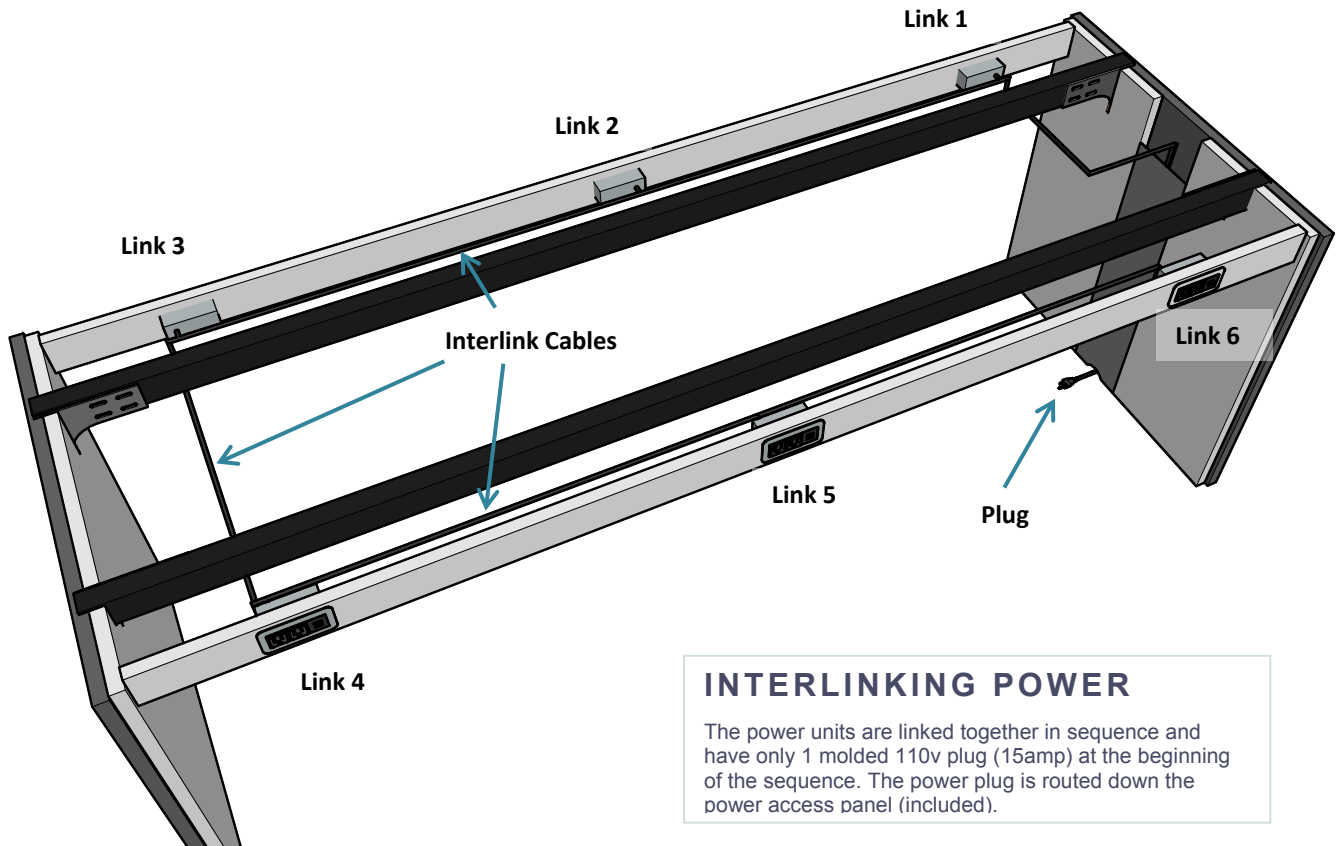


## RAPPORT ISLAND POWER APRON

Rapport Island Power Apron option adds the ability to power up portable devices and personal electronics. Choose either single sided or dual sided to fit your application

Table Length	110 Volts per side	USB 2.1A per side
60" & 72"	4	4
96", 120" & 144"	6	6

Axil® Z Power/Data Unit



**INTERLINKING POWER**

The power units are linked together in sequence and have only 1 molded 110v plug (15amp) at the beginning of the sequence. The power plug is routed down the power access panel (included).