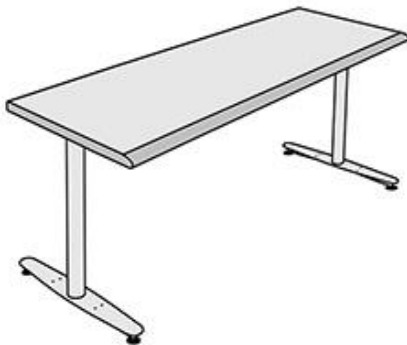


MORPHEUS

TOP CONSTRUCTION

- SUBSTRATE:** Standard table tops are constructed with 1-1/8" M3 Industrial Grade 47# density particle board. NAUF and FSC® options are available.
- DECORATIVE SURFACE:** Constructed with HPL (high pressure laminate) which meets or exceeds performance requirements of NEMA LD 3
- BACKER:** Backer matched grade of laminate for balanced construction. Meets or exceeds performance requirements of NEMA LD 3
- ADHESIVE:** GREENGUARD® Certified Water-Based PVA glue
- EDGING:** See edge treatment guide for more information on edging options www.surfaceworks.us/Edges.html
- MOUNTING:** Table tops are predrilled for easy installation & alignment.



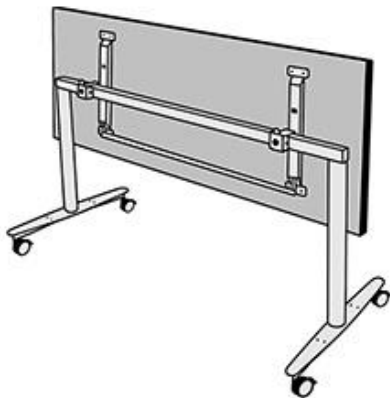
BASE CONSTRUCTION

- DESCRIPTION:** Rigid bolted/welded base for superior strength and durability
- MATERIAL:** Tubing: Column- 2-1/2" 14-gauge with welded inserts for assembly. Base: .187" thick CRS steel laser cut with a gusset welded to the bottom for added support
- FINISH:** Powder coated with scuff resistant environmentally friendly powder
- HEIGHT:** 27.75"
- FOOT TYPE (STANDARD):** 4 plastic/steel threaded glides
- FOOT TYPE (OPTIONAL):** Casters- 2" dual wheel locking caster
- MOUNTING PLATE:** 6"x 16"x 1/4" steel

MORPHEUS ULTRA FLIP

TOP CONSTRUCTION

- SUBSTRATE:** Standard table tops are constructed with 1-1/8" M3 Industrial Grade 47# density particle board. NAUF and FSC options are available.
- DECORATIVE SURFACE:** Constructed with HPL (high pressure laminate) which meets or exceeds performance requirements of NEMA LD 3
- BACKER:** Backer matched grade of laminate for balanced construction. Meets or exceeds performance requirements of NEMA LD 3
- ADHESIVE:** GREENGUARD® Certified Water-Based PVA glue
- EDGING:** See edge treatment guide for more information on edging options www.surfaceworks.us/Edges.html
- MOUNTING:** Table tops are predrilled for easy installation & alignment.



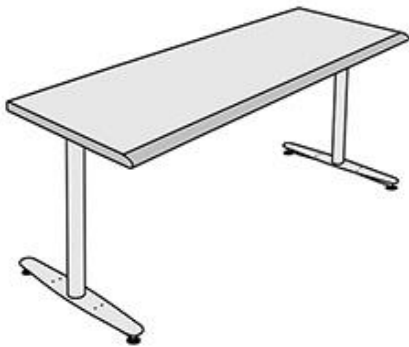
BASE CONSTRUCTION

- DESCRIPTION:** Welded/bolted base for maximum strength and durability with positive-locking flip mechanism
- MATERIAL:** Tubing: Column- 2-1/2" 14-gauge with welded inserts for assembly. Base: .187" thick CRS steel laser cut with a gusset welded to the bottom for added support
- FINISH:** Powder coated with scuff resistant environmentally friendly powder
- HEIGHT:** 27.75"
- FOOT TYPE (STANDARD):** 4 plastic/steel threaded glides
- FOOT TYPE (OPTIONAL):** Casters- 2" dual wheel locking caster
- MOUNTING PLATE:** Ultra Flip Mechanism

MORPHEUS FOLDING

TOP CONSTRUCTION

- SUBSTRATE:** Standard table tops are constructed with 1-1/8" M3 Industrial Grade 47# density particle board. NAUF and FSC options are available.
- DECORATIVE SURFACE:** Constructed with HPL (high pressure laminate) which meets or exceeds performance requirements of NEMA LD 3
- BACKER:** Backer matched grade of laminate for balanced construction. Meets or exceeds performance requirements of NEMA LD 3
- ADHESIVE:** GREENGUARD® Certified Water-Based PVA glue
- EDGING:** See edge treatment guide for more information on edging options www.surfaceworks.us/Edges.html
- MOUNTING:** Table tops are predrilled for easy installation & alignment.



BASE CONSTRUCTION

- DESCRIPTION:** Welded/bolted base for strength and durability with integrated folding mechanism
- MATERIAL:** Tubing: Column- 2-1/2" 14-gauge with welded inserts for assembly. Base: .187" thick CRS steel laser cut with a gusset welded to the bottom for added support
- FINISH:** Powder coated with scuff resistant environmentally friendly powder
- HEIGHT:** 27.75"
- FOOT TYPE (STANDARD):** 4 plastic/steel threaded glides
- FOOT TYPE (OPTIONAL):** Casters- 2" dual wheel locking caster
- MOUNTING PLATE:** Molded plastic with steel spring clip. Legs lock in at both opened and closed position.