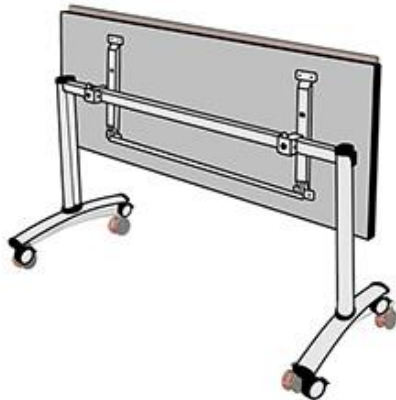


DASH

TOP CONSTRUCTION

- SUBSTRATE:** Standard table tops are constructed with 1-1/8" M3 Industrial Grade 47# density particle board. NAUF and FSC® options are available.
- DECORATIVE SURFACE:** Constructed with HPL (high pressure laminate) which meets or exceeds performance requirements of NEMA LD 3
- BACKER:** Backer matched grade of laminate for balanced construction. Meets or exceeds performance requirements of NEMA LD 3
- ADHESIVE:** GREENGUARD® Certified Water-Based PVA glue
- EDGING:** See edge treatment guide for more information on edging options www.surfaceworks.us/Edges.html
- MOUNTING:** Table tops are predrilled for easy installation & alignment.



BASE CONSTRUCTION

- DESCRIPTION:** 14 gauge formed steel columns and foot with positive-locking flip mechanism
- MATERIAL:** Tubing: 14 gauge formed steel columns and foot
- FINISH:** Powder coated with scuff resistant environmentally friendly powder
- HEIGHT:** 27.75"
- FOOT TYPE (STANDARD):** Casters: 2 Locking and 2 non-locking heavy duty commercial casters
- MOUNTING PLATE:** Ultra Flip Mechanism